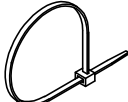

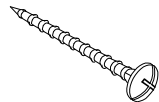

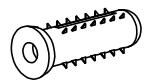



ASSEMBLY INSTRUCTION
Opal Cabinet, Black, Oak
82047017

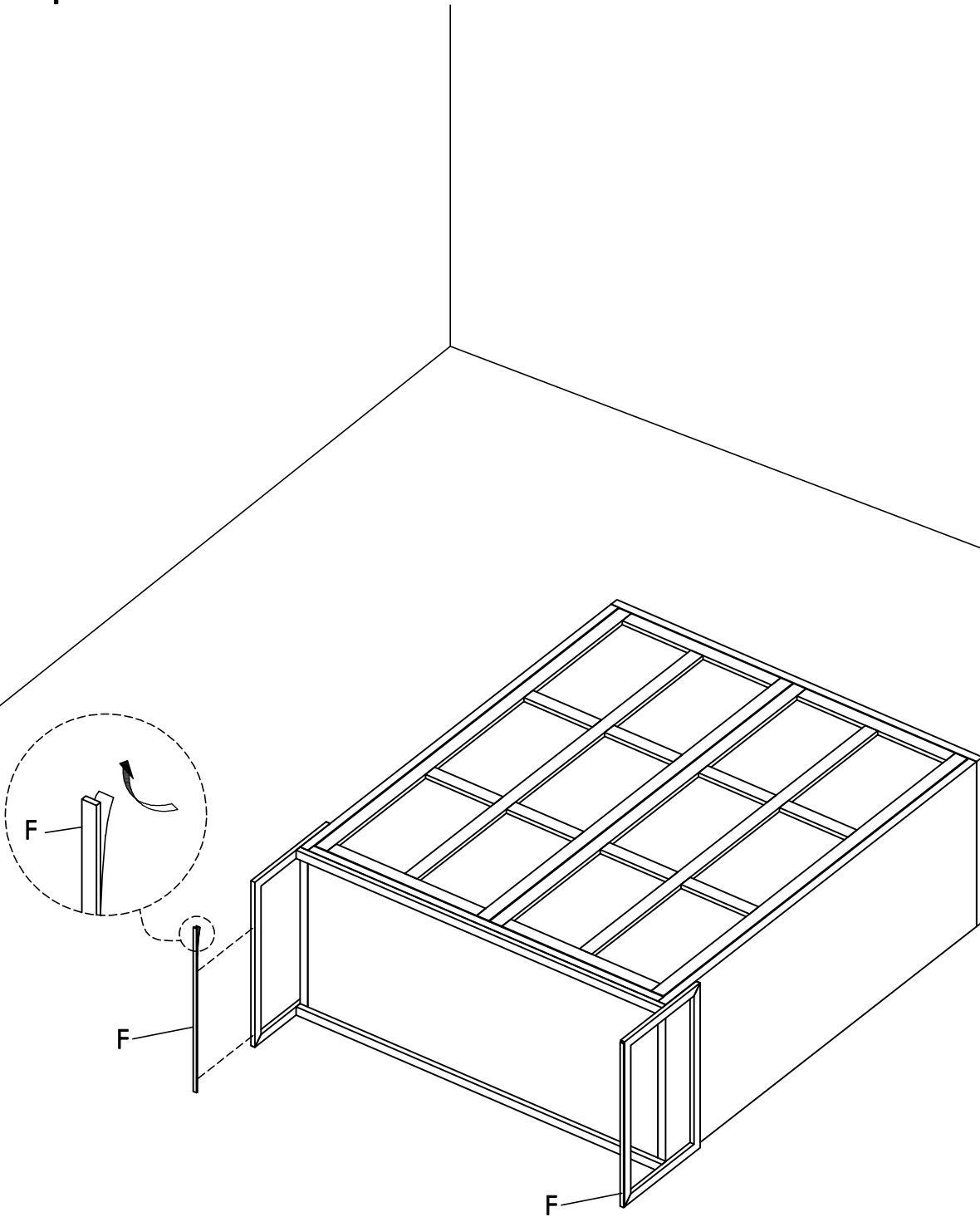


COMPONENT LIST

<p>A x 2</p>  <p>L=300 mm</p>	<p>B x 2</p>  <p>M3.5x15 mm</p>	<p>C x 2</p>  <p>M4x40 mm</p>	<p>D x 4</p>  <p>18x18x12/2 mm</p>	<p>E x 2</p>  <p>M4x40 mm</p>
<p>F x 2</p>  <p>L=3x8x398 mm</p>				

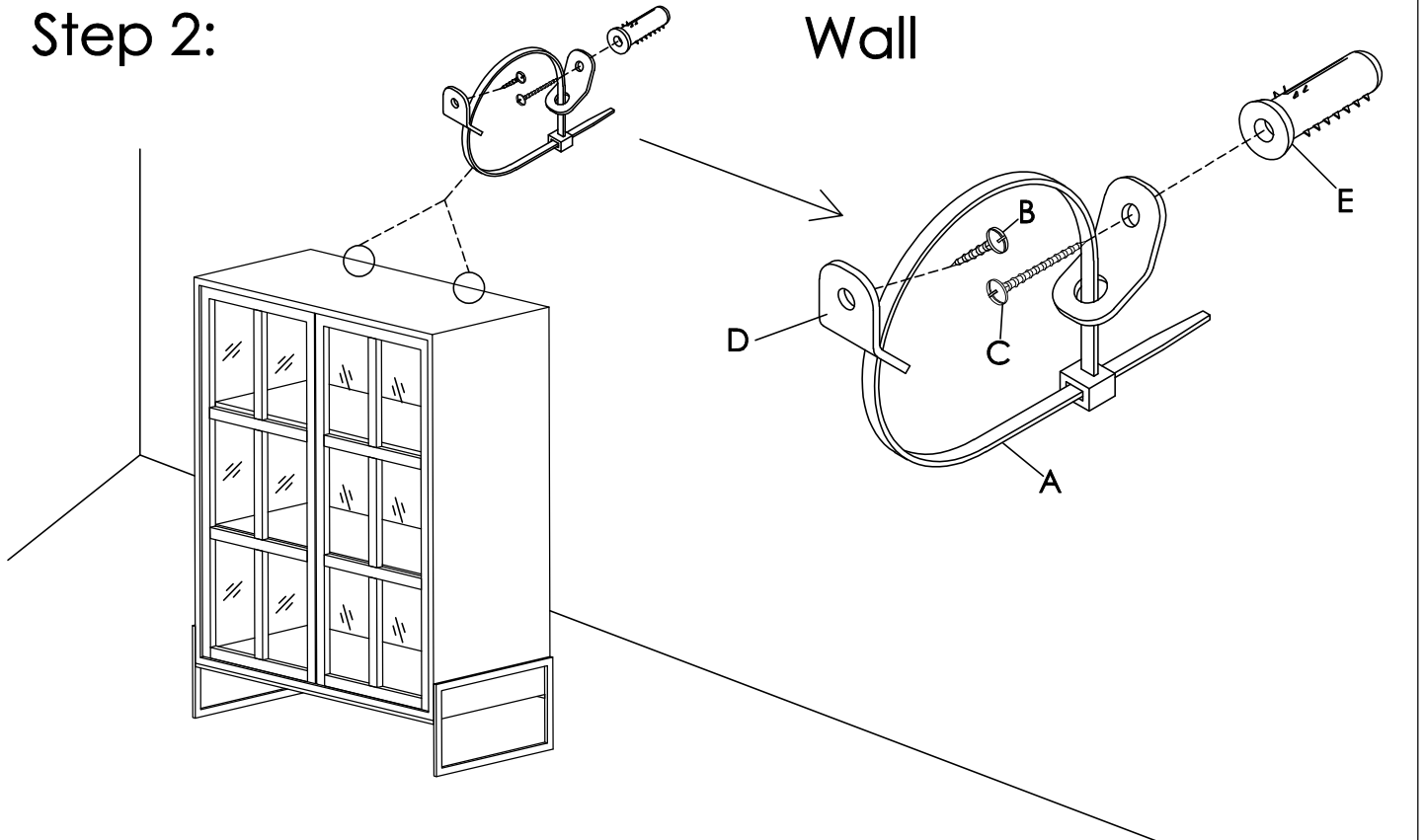
INSTRUCTION

Step 1:



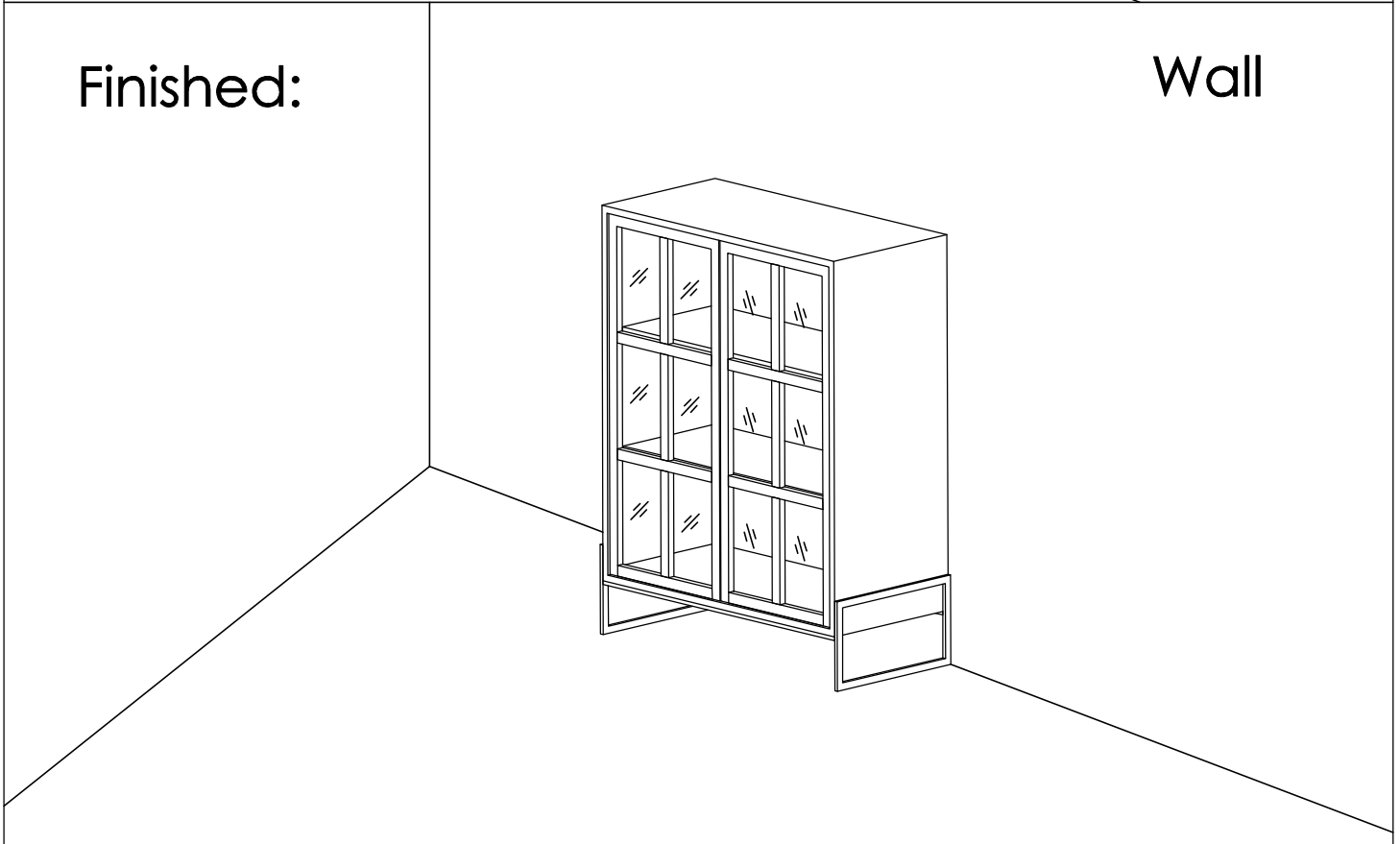
Step 2:

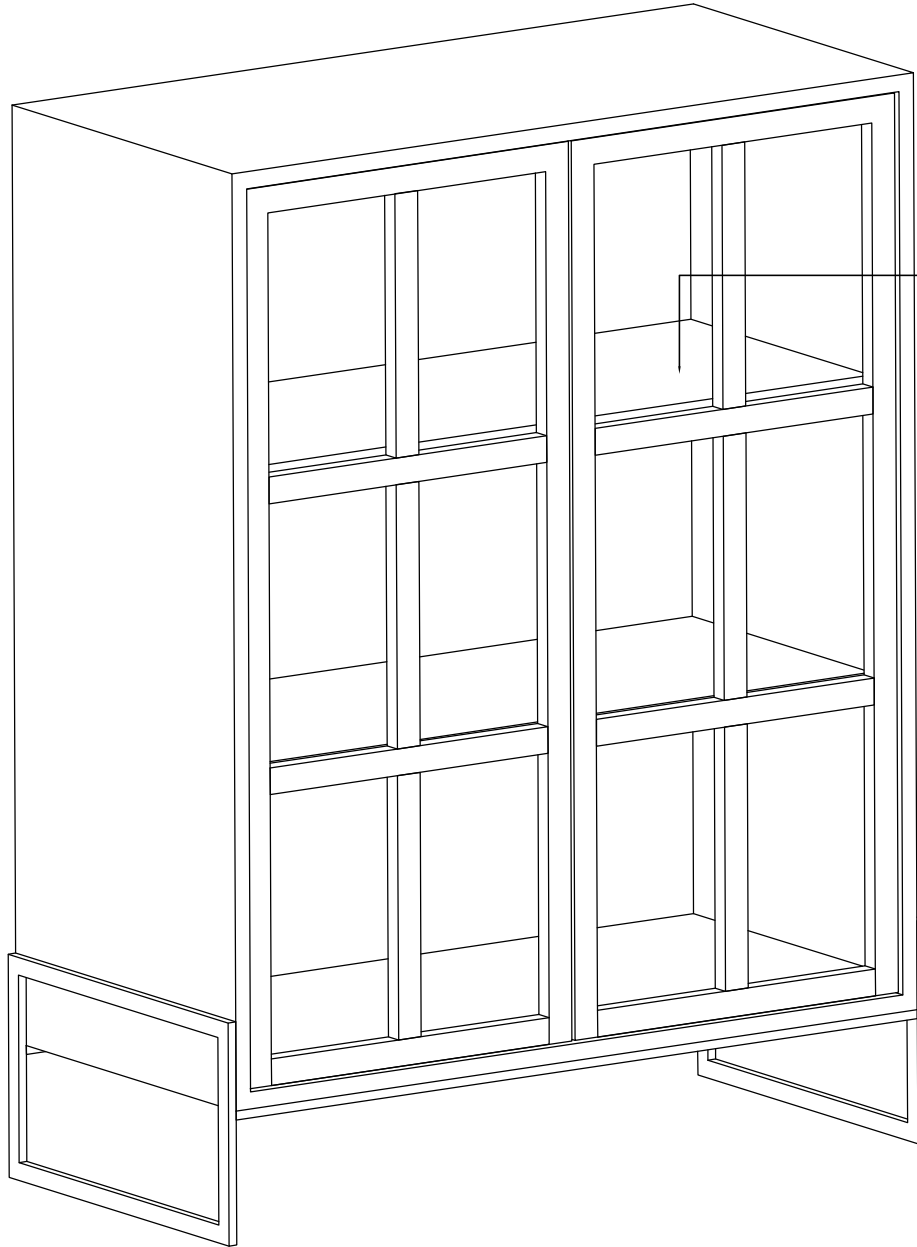
Wall



Finished:

Wall





20kgs / 44lbs



60kgs / 132lbs