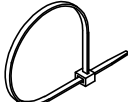

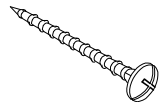

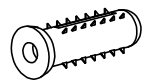
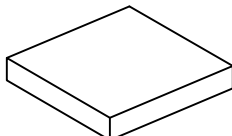


ASSEMBLY INSTRUCTION
Isabel Cabinet, Black, Oak
82047018

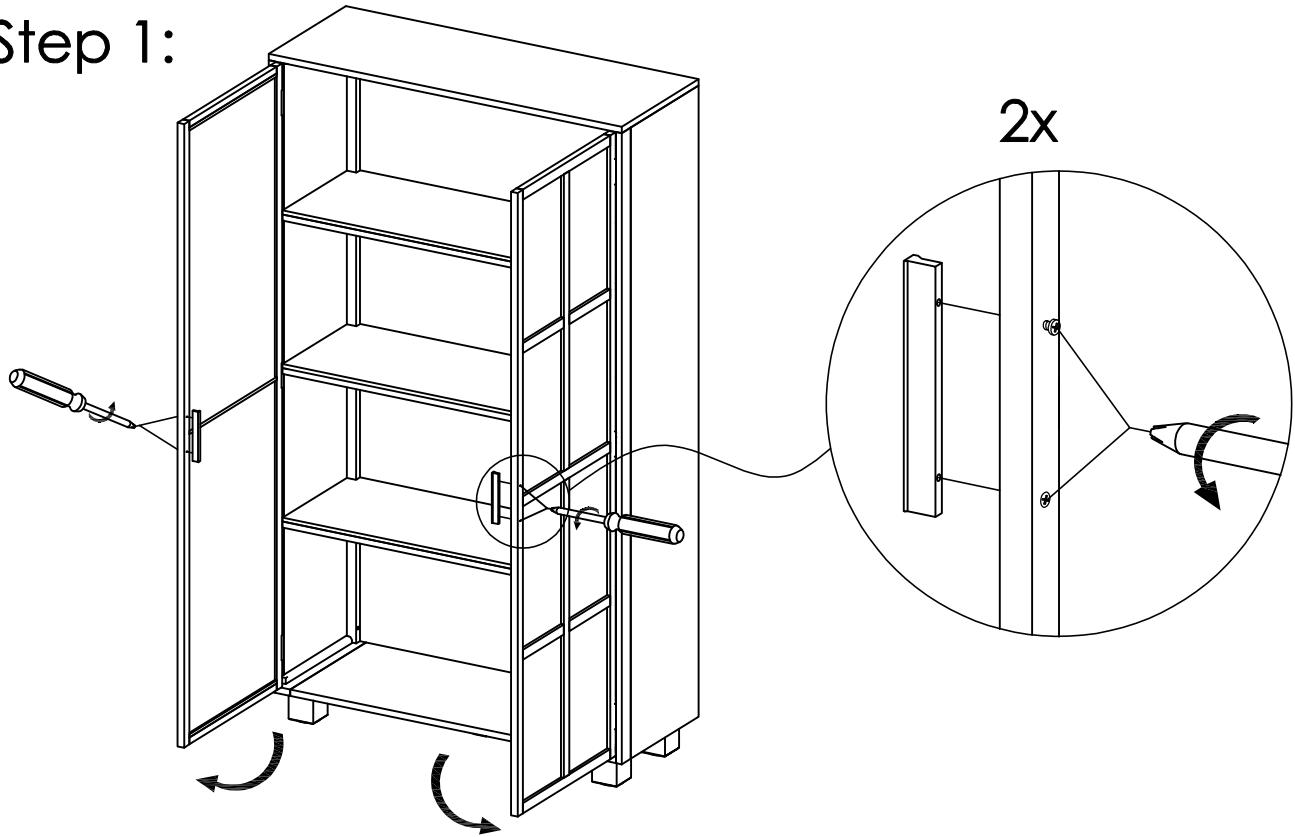


COMPONENT LIST

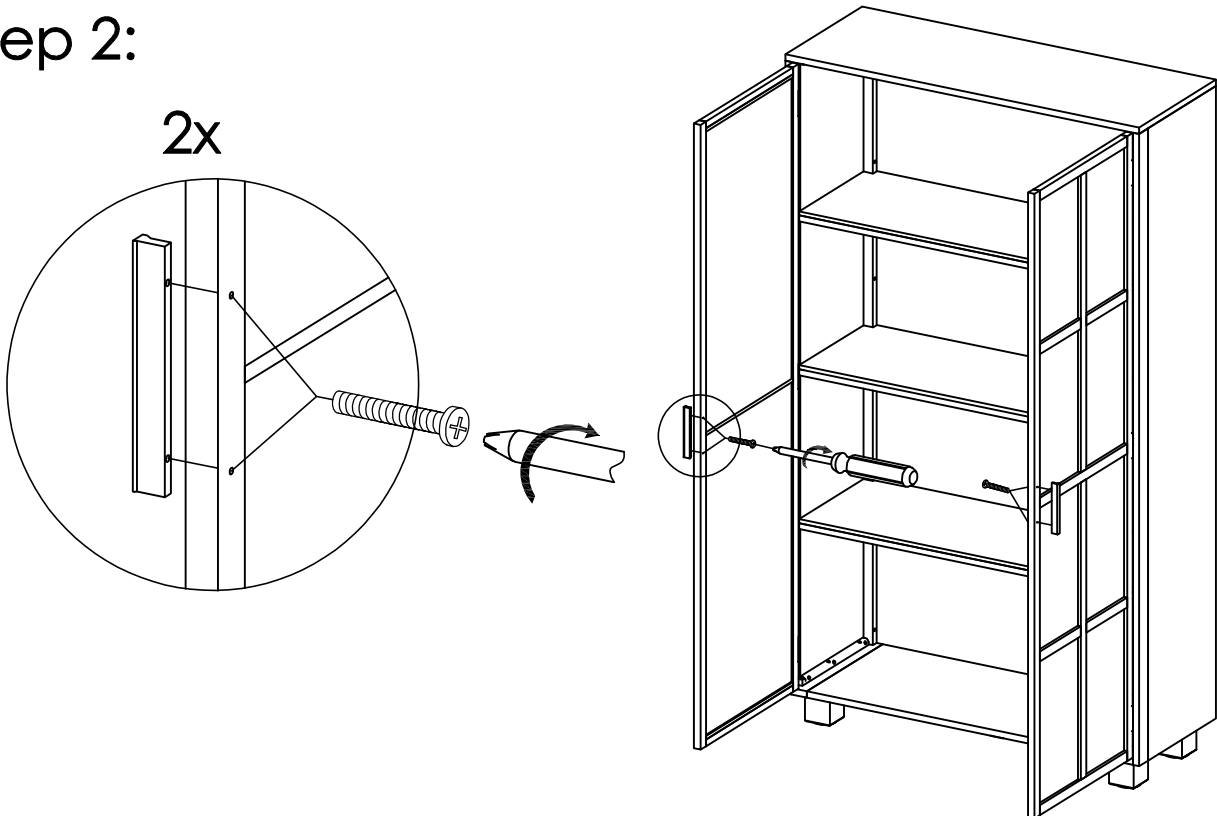
A x 2  L=300 mm	B x 2  M3.5x15 mm	C x 2  M4x40 mm	D x 4  18x18x12/2 mm	E x 2  M4x40 mm
F x 4  75x75x3mm				

INSTRUCTION

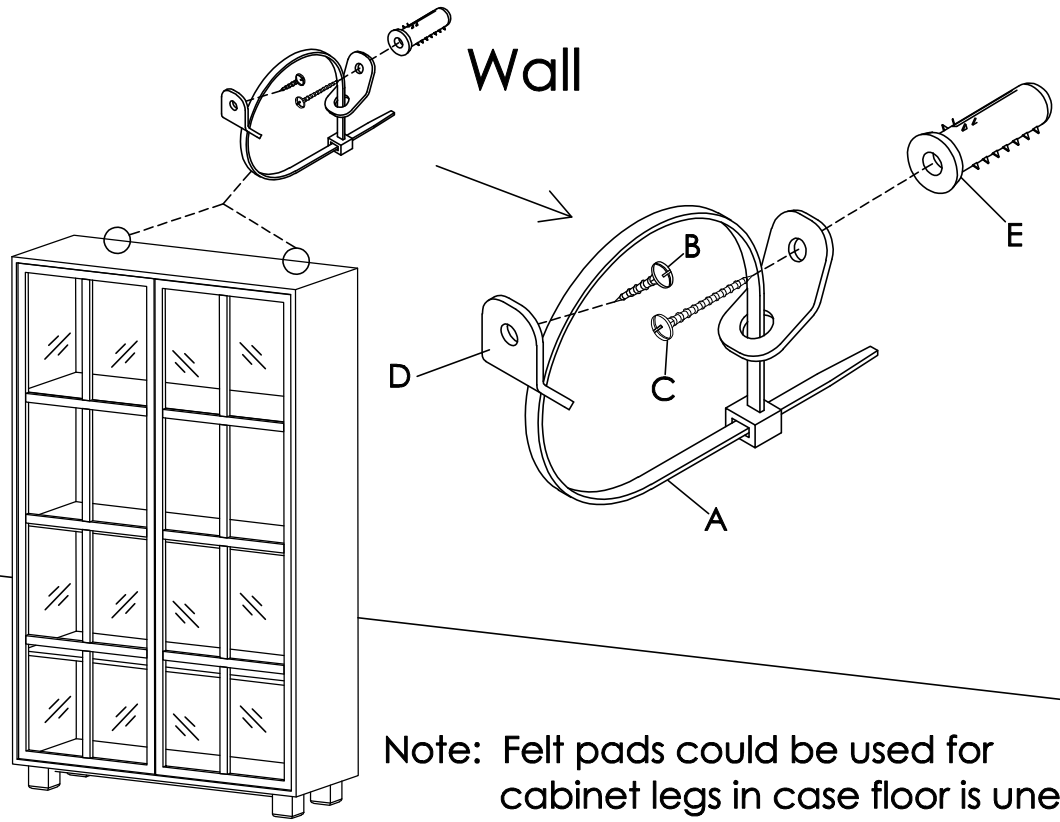
Step 1:



Step 2:

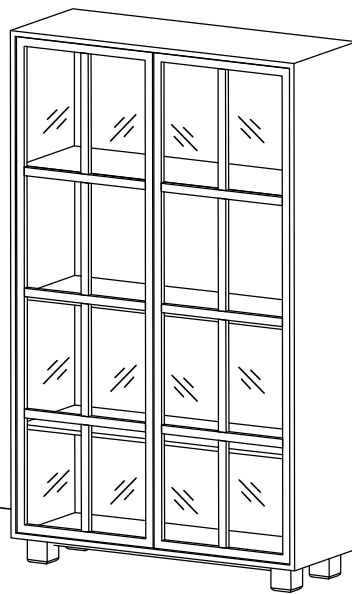


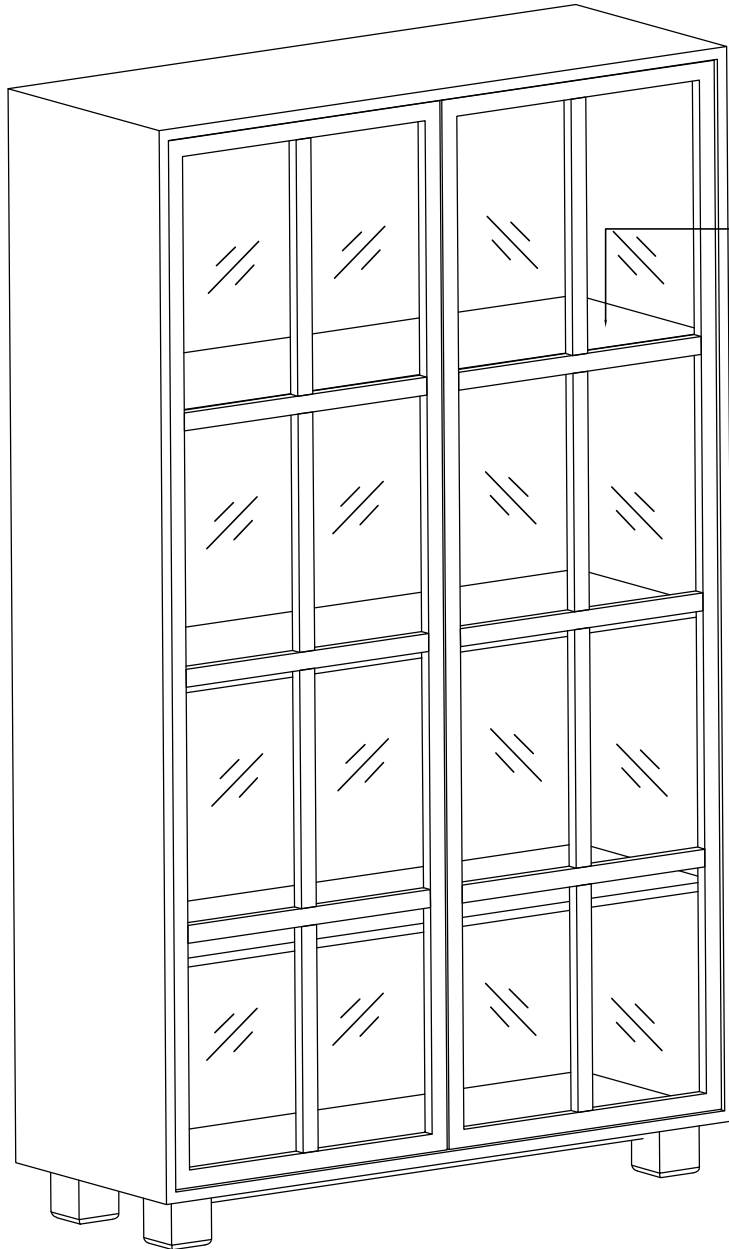
Step 3:



Note: Felt pads could be used for cabinet legs in case floor is uneven

Finished:





20kgs / 44lbs



80kgs / 176lbs