


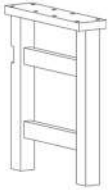

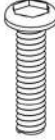



# ASSEMBLY INSTRUCTION

Perth Console Table, Nature, Mango

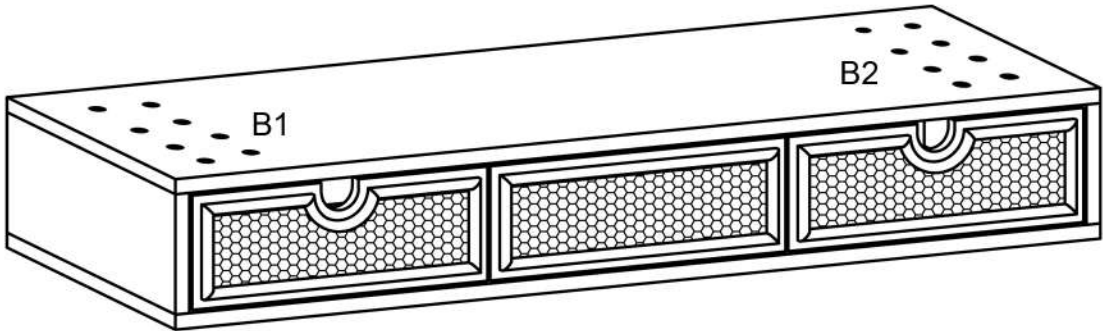
82054733



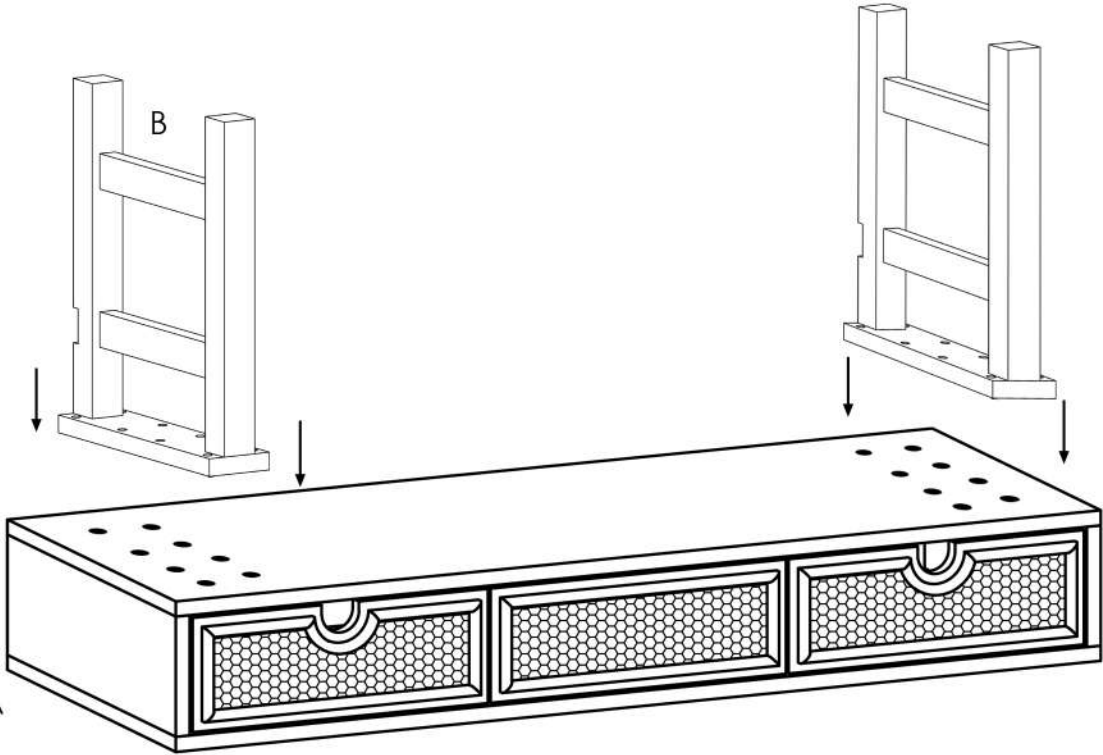
# COMPONENT LIST

A	 X1
B	 X2
C	 X1
D	 X20
E	 X16
F	 X1
G	

INSTRUCTION  
Step 1

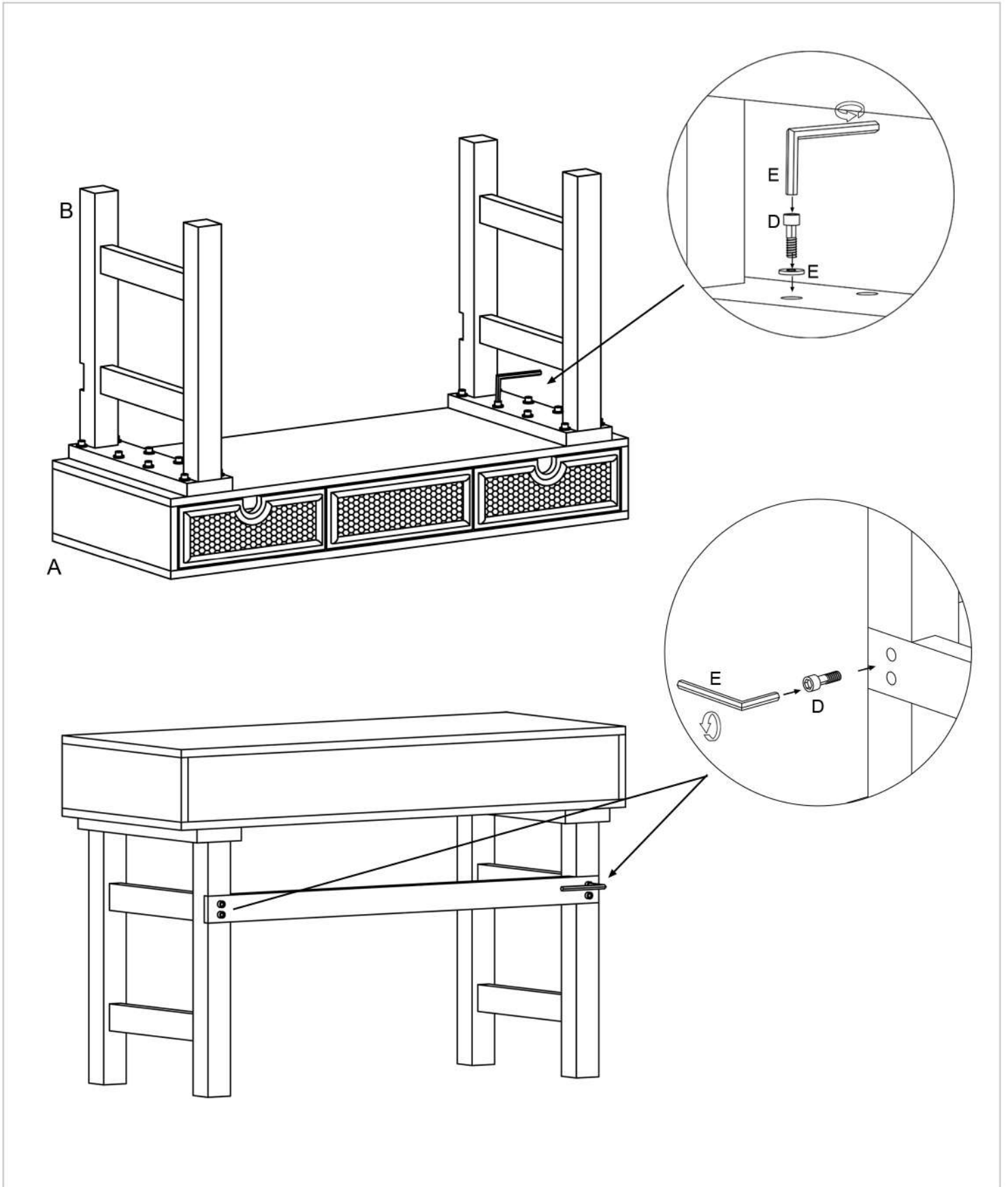


A

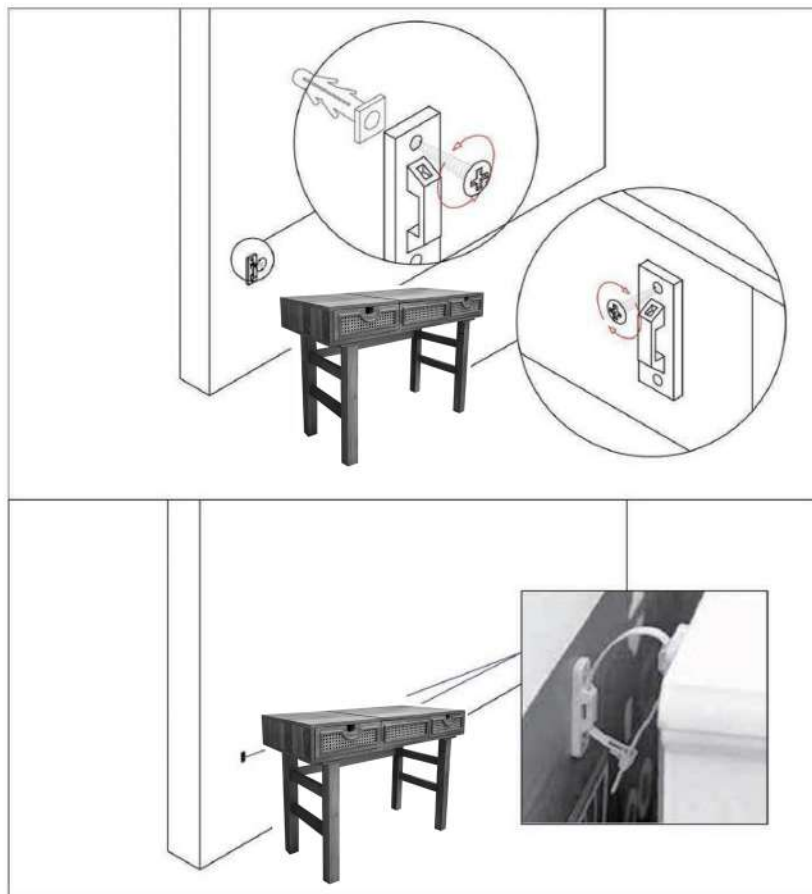


A

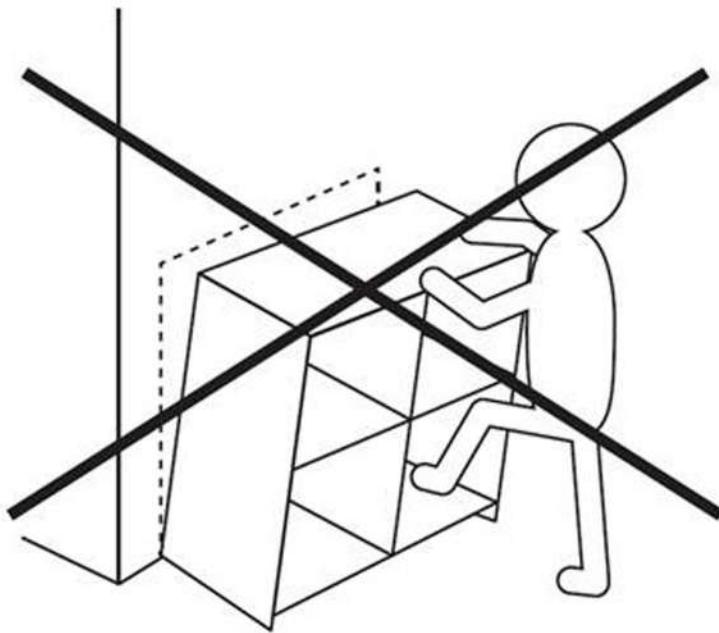
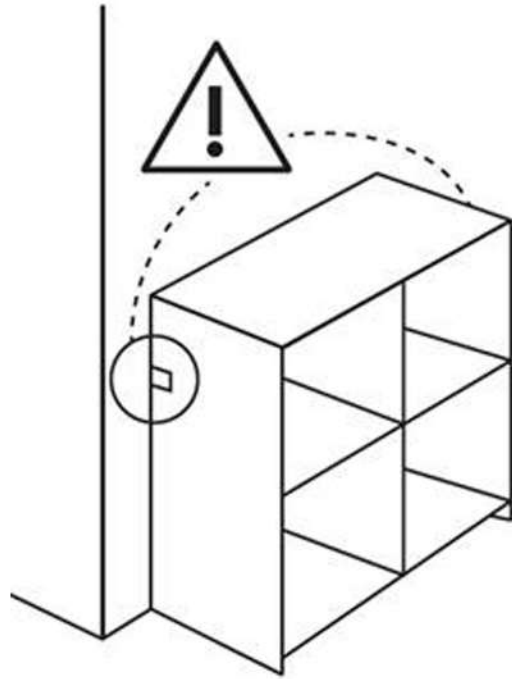
INSTRUCTION  
Step 2



INSTRUCTION  
Step 3



INSTRUCTION  
Step 4



INSTRUCTION  
Step 5

